

KRAEMER

HI-VAC DUST COLLECTORS

- High Efficiency
- Primary Separation
- Secondary Separation
- Pulse cleaned cartridges
- Sizes from 2.5 hp to 20 hp, 460V/3/60
- 90 cfm, 137 cfm, 300 and 400 cfm at 50" wg

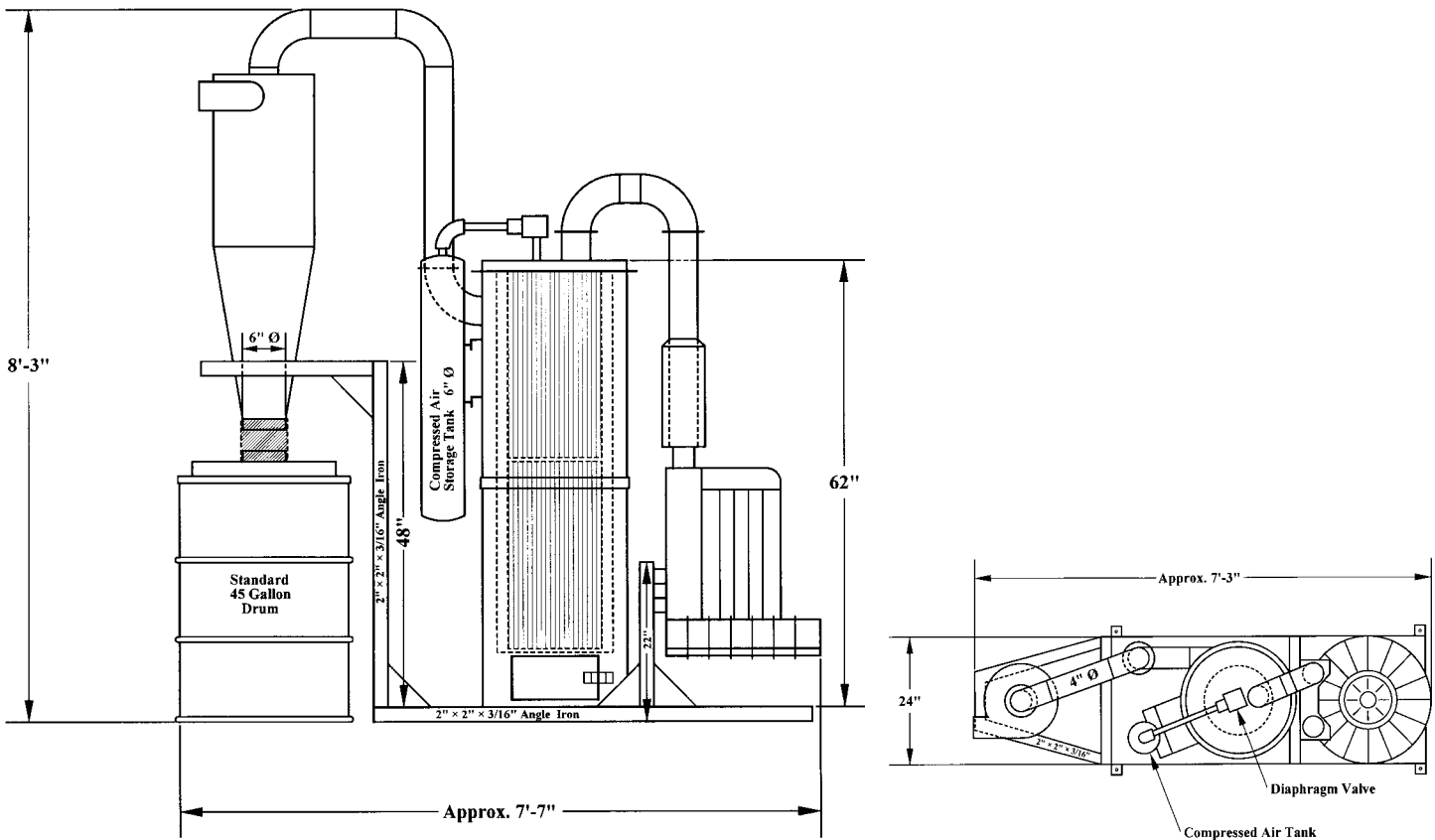
- Extractor fan with TEFC high efficiency motor
- All steel construction and structural steel frame
- Primary cyclone separator
- Secondary separator (cartridge filters included)
- Storage drum with lid and connector sleeve
- Clean out door for filters
- Pulse valves and manifold
- Push button pulse controller
- Spun bonded polyester filter media



KTM Hi-Vac systems are custom designed for individual specifications. They are equipped with a high efficiency pencil cyclone and stand, filter unit with filter cartridge(s), access door, motor/blower assembly and a safety vacuum relief valve. A platform with casters can be provided for easy movement.



HI-VAC DUST COLLECTORS



For use with one (1) Cartridge Filter (filter not included)

MODEL	HP	SIZE (APPROX)	BLOWER INLET	CFM at 50" WG	STORAGE (ft ³)
HV 90	2 1/2	24" X 91" X 99" H	1 1/2"	90	7
HV 137	4 1/2	24" X 91" X 99" H	2"	137	7

For use with two (2) Cartridge Filter (filter not included)

MODEL	HP	SIZE (APPROX)	BLOWER INLET	CFM at 50" WG	STORAGE (ft ³)
HV 300	10	24" X 91" X 99" H	2 1/2"	300	7
HV 400	20	24" X 91" X 99" H	3"	400	7

Available filters:

- Paper for light, fine, dry dust loads, area 154 ft²
- Paper for light, fine, dry dust loads, area 225 ft²
- Polyester Felt for light, fine, fibrous dust loads with some moisture content, area 35 ft²
- Thermobonded Polyester for very fine dust and smoke, washable, area 94 ft² for each 26" cartridge

note:

- Listed dimensions are for reference only
- Certified correct drawing will be issued before construction
- We reserve the right to make technical improvements without prior notice



KRAEMER TOOL & MFG. CO. LTD.

75 Devon Road, Brampton, Ontario Canada L6T 5A4 (905) 458-0400

2316 Delaware Avenue, Po Box 344, Buffalo, New York, USA 14216

1-800-443-6443 Fax: 1-888-565-9999

www.kraemertool.com